

Form 19322

(539)

PRINTED IN U. S. A.

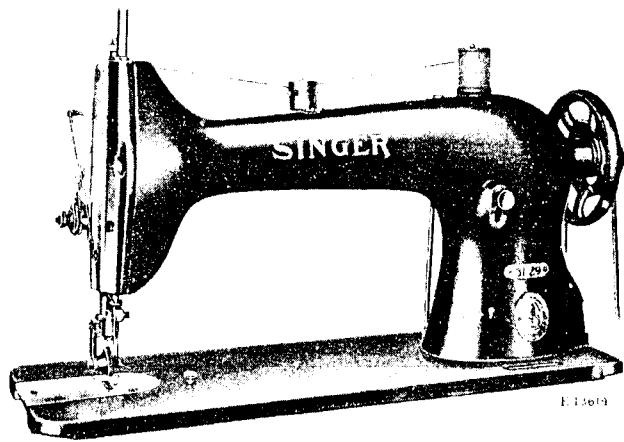
**DO NOT REMOVE
HISTORICAL COPY
DO NOT REMOVE
SINGER**

31-29



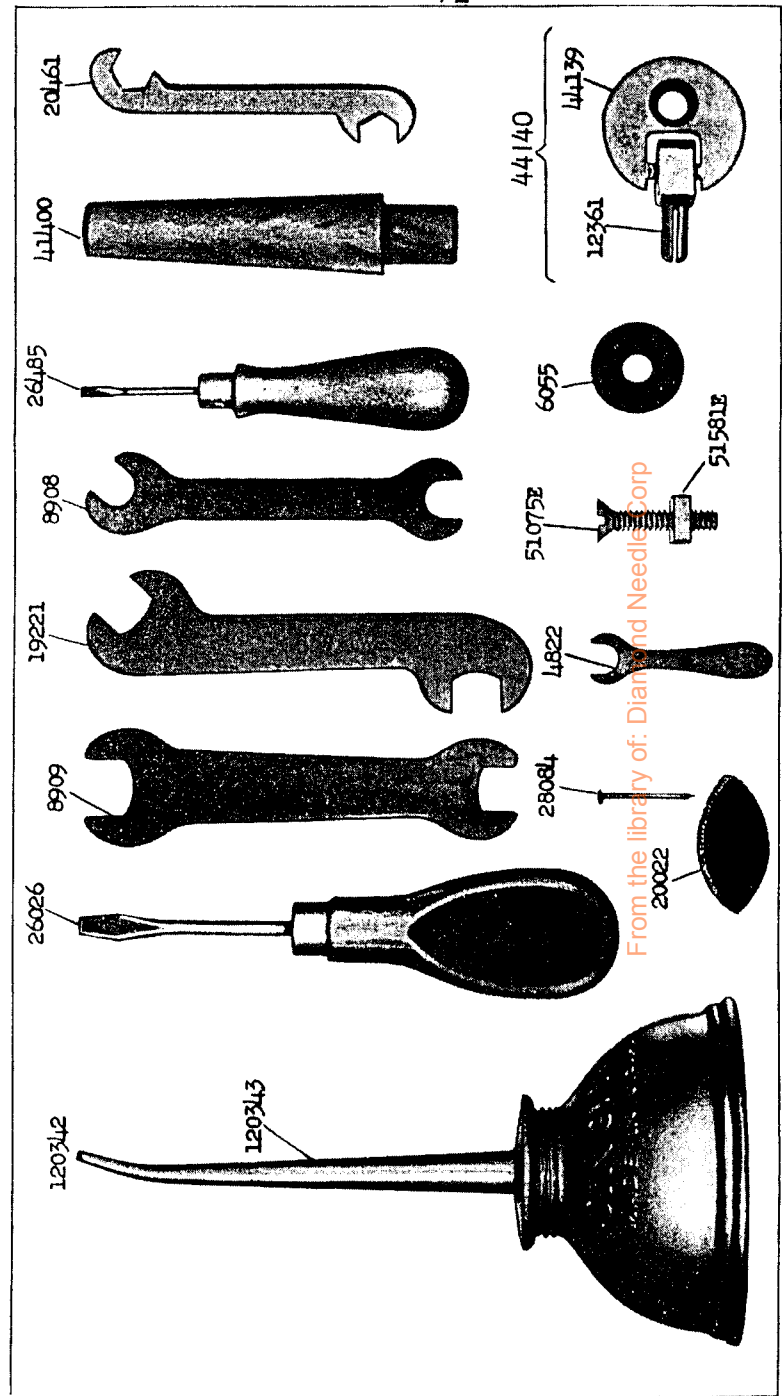
THE SINGER MANUFACTURING COMPANY

From the library of: Diamond Needle Corp



Copyright, U. S. A., 1939
 by The Singer Manufacturing Co.
 All Rights Reserved for all Countries

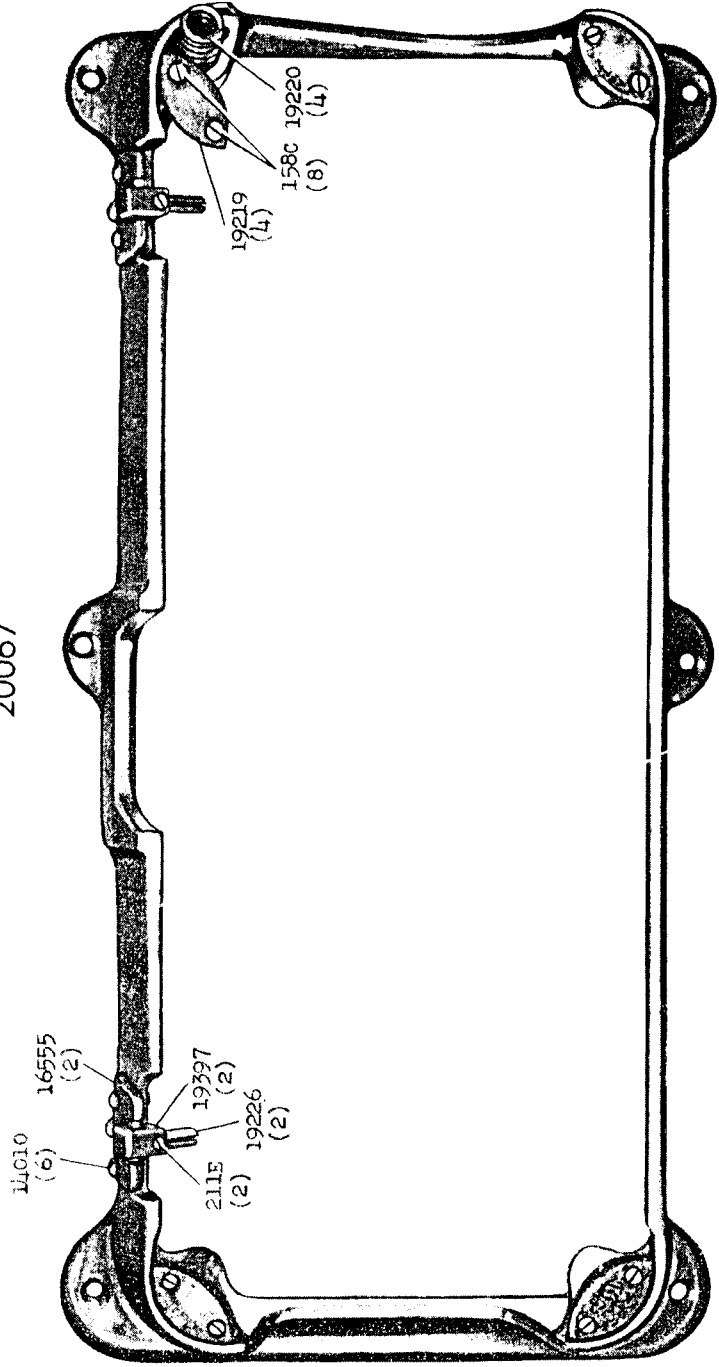
22308 - 1/2



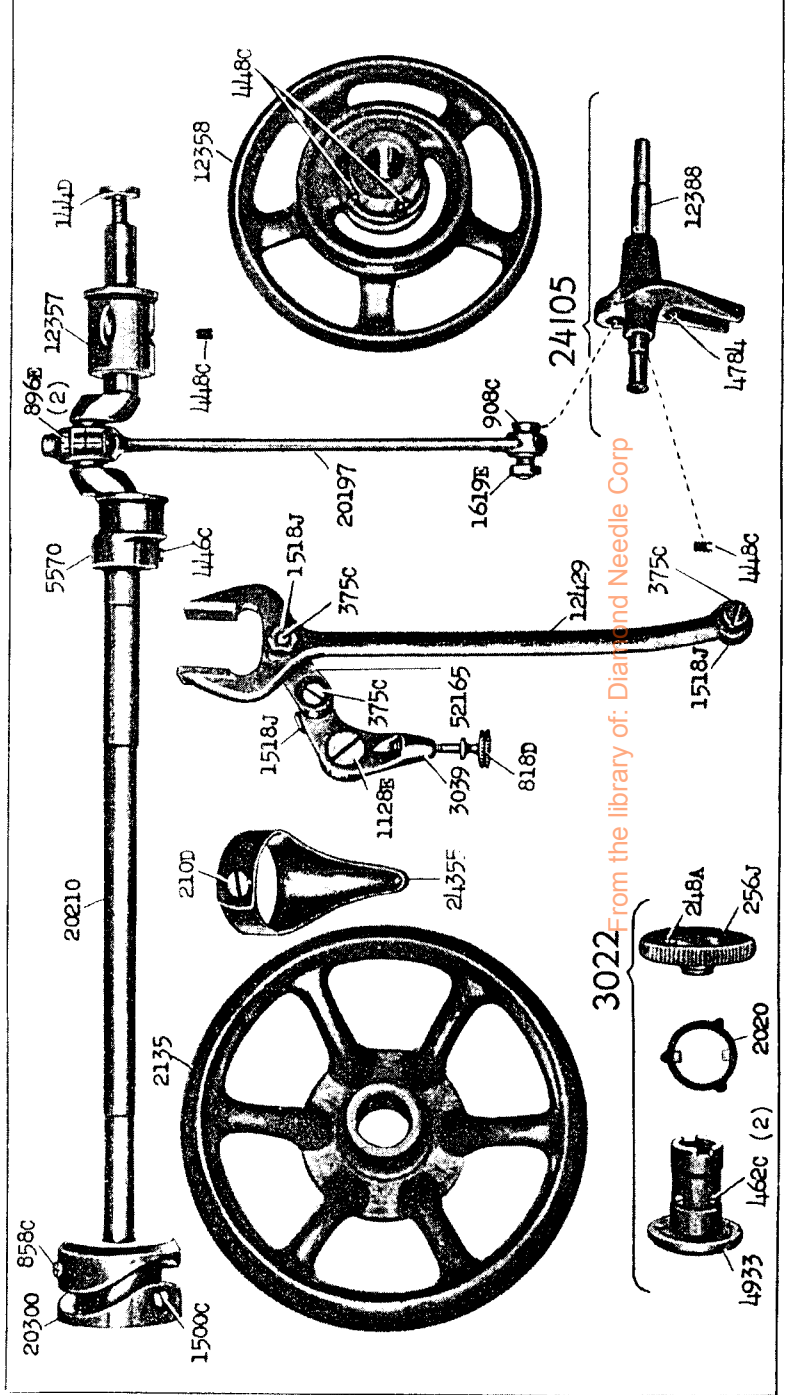
From the library of: Diamond Needle Corp

22309 - 1/3

20067



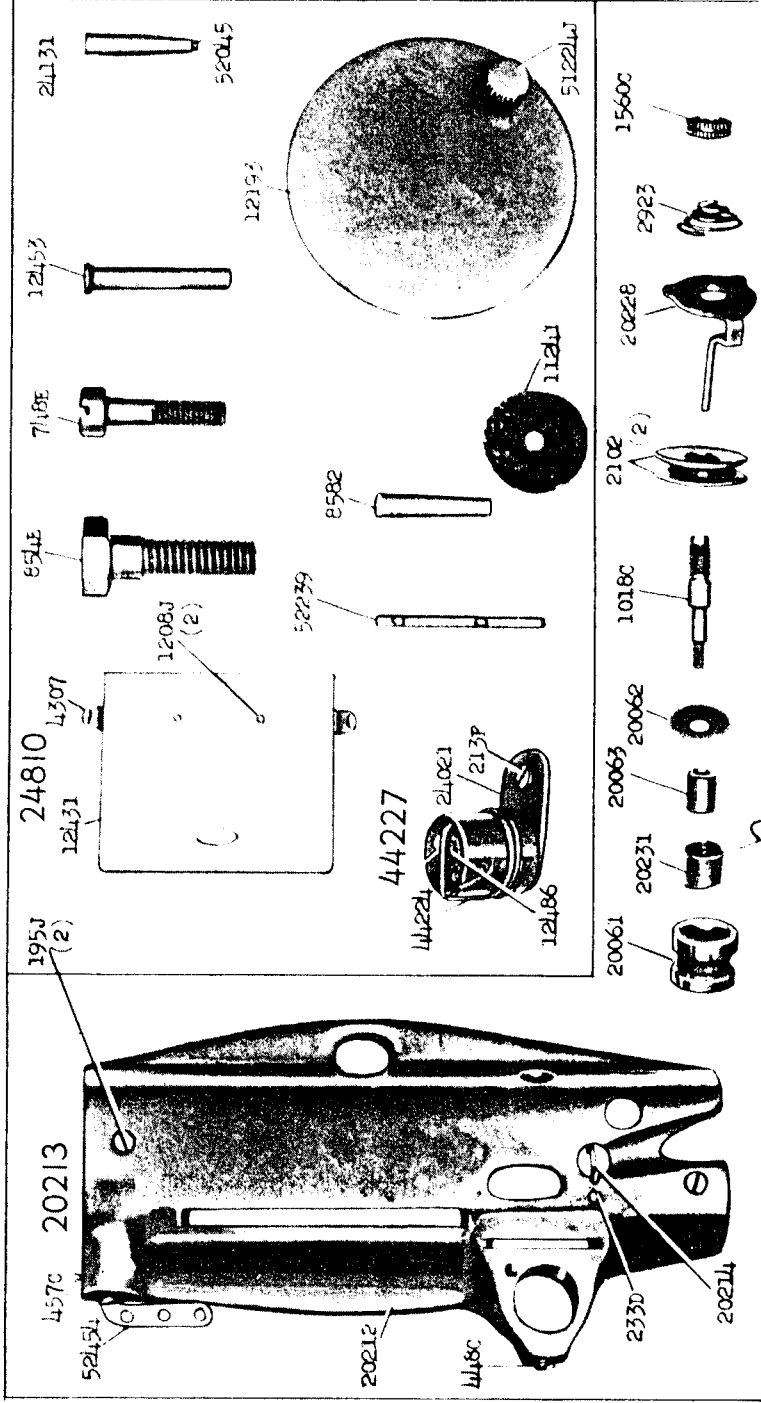
22318 - 1/3



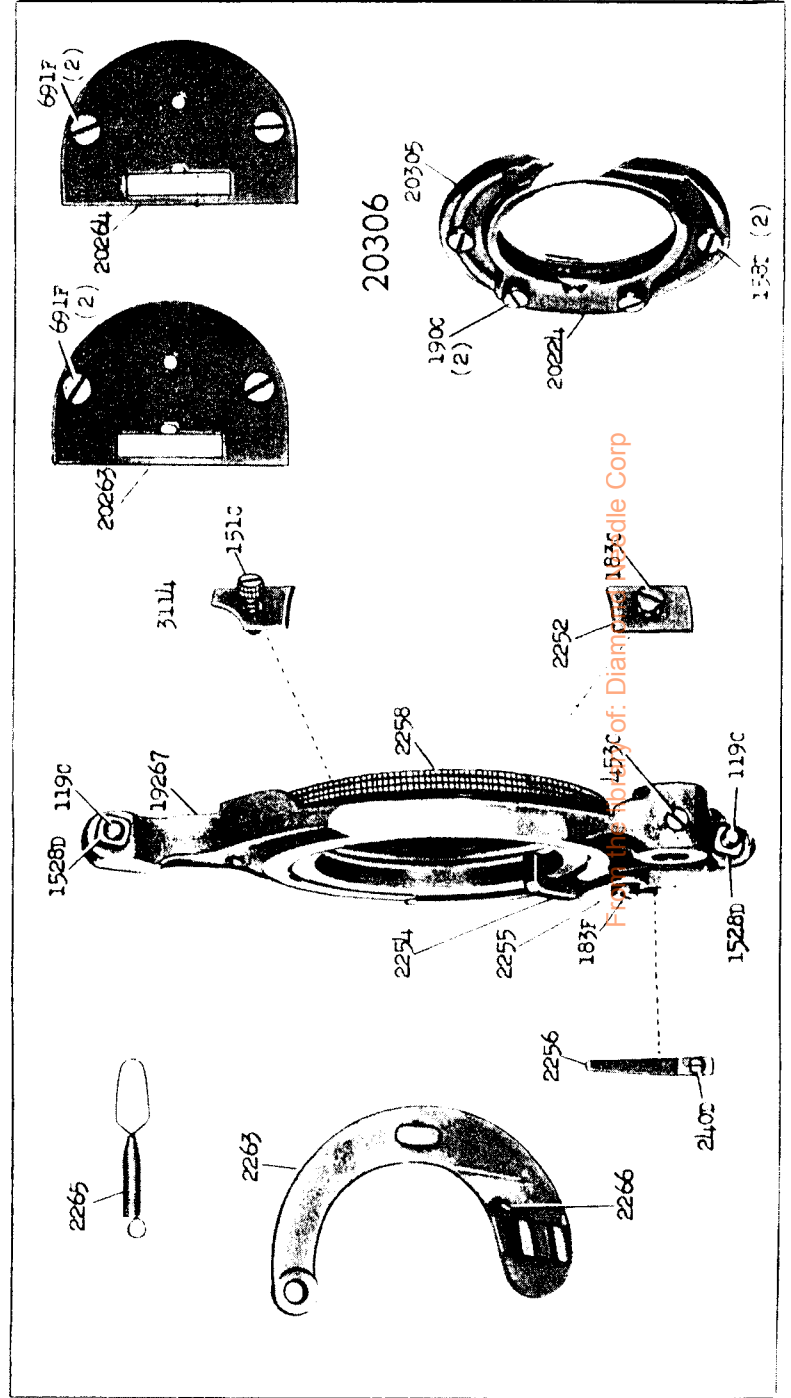
From the library of: Diamond Needle Corp

From the library of: Diamond Needle Corp

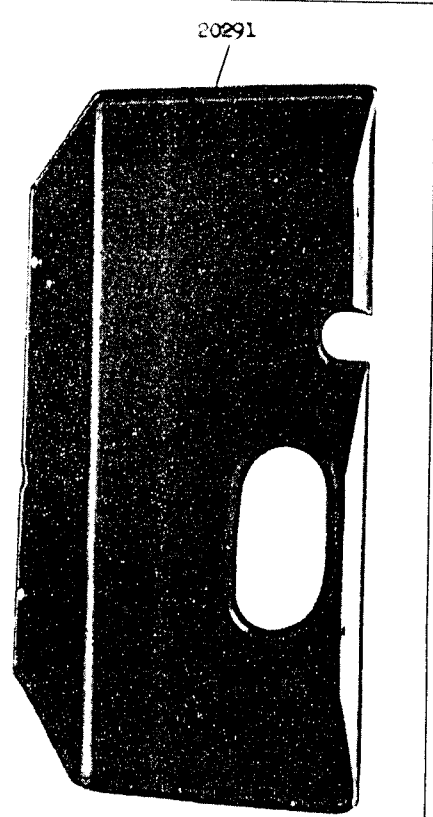
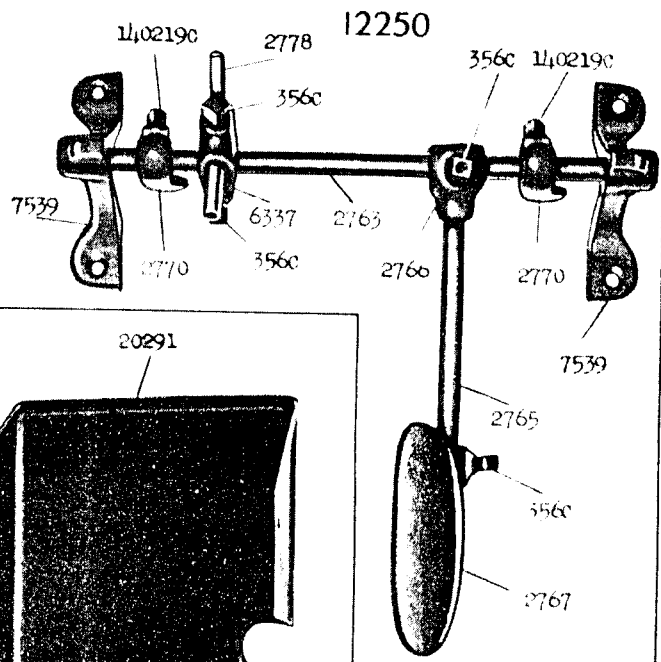
22319 - 1/2



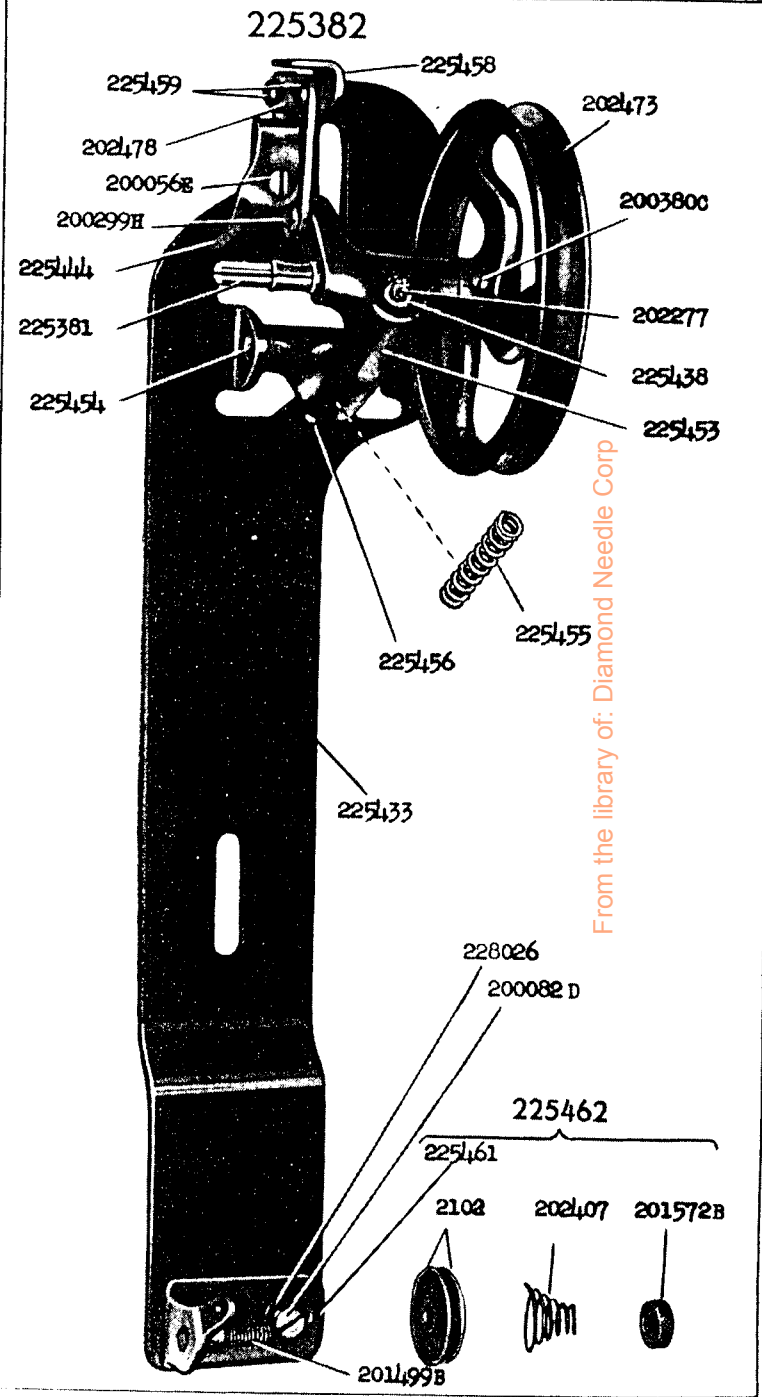
22320 - 1/2



22323 - 1/4



22908 - 2/3



From the library of: Diamond Needle Corp